

# Flue gas analyzer

## testo 330i



---

Measurement location-independent operation and Bluetooth measurement value display via Smartphone/tablet and testo 330i App

---

Non-paper documentation and report creation directly on site with the testo 330i App

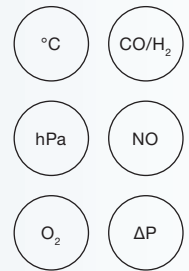
---

Reliable flue gas probe attachment with the testoFix probe mount

---

Robust, completely sealed plastic housing for use in tough conditions

---



The testo 330i is the combination of proven technology and revolutionary handling. The basis of the flue gas analyzer is the measurement technology of the proven predecessor testo 330 LL, with these outstanding features:

- Longlife sensors with up to 6 years' lifetime, exchangeable by the user
- TÜV-tested according to 1. BImSchV (VDI 4206) and EN 50379, Parts 1-3
- Integrated gas and draught zeroing without probe removal
- Measuring range extension up to 30,000 ppm CO through automatic fresh air dilution

The operation of the measuring instrument and the display of the measurement values take place by Bluetooth via the testo 330i App on your Smartphone/tablet. This means you always have all relevant values at your fingertips right where you need them. After finishing the measurement, you can insert comments or photos of the plant into your report, and send it to your customer or your office by e-mail. Today's way to measure flue gas.

## Technical data

### Order suggestion testo 330i

testo 330i flue gas analyzer with  
Longlife gas sensors and integrated draught and  
gas zeroing, Bluetooth, rechargeable battery and calibration protocol



testo 330i  
Option: H<sub>2</sub>-compensated CO sensor

0632 3000  
✓

### Order suggestion basic set testo 330i

testo 330i	0632 3000
Option: H <sub>2</sub> -compensated CO sensor	✓
Modular flue gas probe with hose (650 mm)	0600 9780
Combustion air temperature probe (190 mm)	0600 9787
International mains unit	0554 1096
testoFix probe mount	0554 3006
Instrument case for testo 330i, probes and accessories	0516 3302

### General technical data

Compatibility	requires iOS 7.1 or newer / Android 4.3 or newer requires mobile end device with Bluetooth 4.0
Storage temperature	-20 to +50 °C
Operating temperature	-5 to +45 °C
Power supply	Rech. batt. block 3.7 V / 2.6 Ah Mains unit 6 V / 1.2 A (optional)
Memory	500000 readings
Weight	720 g (excluding battery)
Dimensions	270 x 160 x 57 mm
Guarantee	Instrument/probe/gas sensors O <sub>2</sub> , CO: 48 months Gas sensor NO: 24 months Thermocouple and rech. battery: 12 months
Guarantee conditions	<a href="https://www.testo.com/guarantee">https://www.testo.com/guarantee</a>

### Order suggestion professional set testo 330i

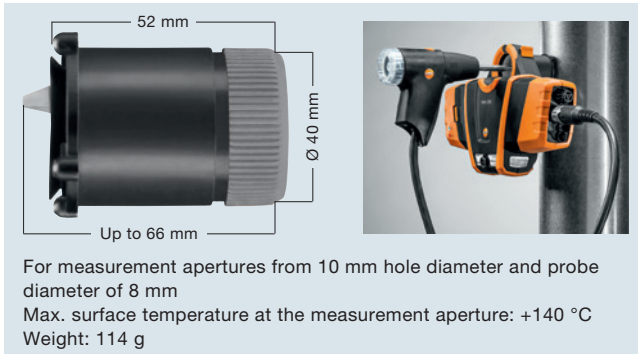
testo 330i	0632 3000
Option: H <sub>2</sub> -compensated CO sensor	✓
Modular flue gas probe with hose (650 mm)	0600 9780
Combustion air temperature probe (190 mm)	0600 9787
International mains unit	0554 1096
testoFix probe mount	0554 3006
Mobile BT®/ IRDA printer	0554 0622
Instrument case for testo 330i, probes and accessories	0516 3302

Measurement parameter	Measuring range	Accuracy (± 1 digit)	Resolution
<b>Temperature (dependent on the thermocouple in the flue gas probe)</b>	-40 to +1200 °C	±0.5 °C (0.0 - +100.0 °C) ±0.5 % of m.v. (remaining meas. range)	±0.1 °C (-40 - +999.9 °C) ±1 °C (remaining meas. range)
<b>Draught measurement</b>	-9.99 to +40 hPa	±0.02 hPa or ± 5 % of m.v. (-0.50 to +0.60 hPa) ±0.03 hPa (+0.61 to +3.00 hPa) ±1.5 % of m.v. (+3.01 to +40.00 hPa) (the greater value applies)	0.01 hPa
<b>Pressure measurement</b>	0 to 300 hPa	±0.5 hPa (0.0 to +50.0 hPa) ±1 % of m.v. (+50.1 to +100.0 hPa) ±1.5 % of m.v. (remaining meas. range)	0.1 hPa
<b>O<sub>2</sub> measurement</b>	0 to 21 vol. %	±0.2 vol. %	0.1 vol. %
<b>CO measurement (not H<sub>2</sub>-compensated)</b>	0 to 4000 ppm	±20 ppm or ±10 % of m.v. (0 to 400 ppm) ±5 % of m.v. (401 to 2000 ppm) ±10 % of m.v. (2001 to 4000 ppm)	1 ppm
<b>CO measurement (not H<sub>2</sub>-compensated) with activated measuring range extension</b>	0 to 15000 ppm	±200 ppm or ±20 % of m.v. (0 to 15000 ppm)	1 ppm
<b>CO measurement (H<sub>2</sub>-compensated)</b>	0 to 8000 ppm	±10 ppm or ±10 % of m.v. (0 to 200 ppm) ±20 ppm or ±5 % of m.v. (201 to 2000 ppm) ±10 % of m.v. (2001 to 8000 ppm)	1 ppm
<b>CO measurement (H<sub>2</sub>-compensated) with activated measuring range extension</b>	0 to 30000 ppm	±200 ppm or ±20 % of m.v. (0 to 30000 ppm)	1 ppm
<b>Efficiency testing (Eta)</b>	0 to 120 %		0.1 %
<b>Flue gas loss</b>	0 to 99.9 %		0.1 %
<b>CO<sub>2</sub> determination (Calculation from O<sub>2</sub>)</b>	Display area 0 to CO <sub>2</sub> max	±0.2 vol. %	0.1 vol. %
<b>Option: NO measurement:</b>	0 to 3000 ppm	±5 ppm (0 to 100 ppm) ±5 % of m.v. (101 to 2000 ppm) ±10 % of m.v. (2001 to 3000 ppm)	1 ppm

## Ordering data

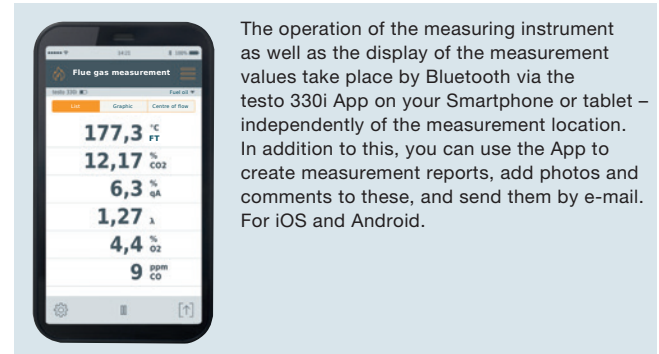
### testoFix probe mount

Newly developed: Securely fixes the probe and the measuring instrument to the plant.



### testo 330i App

The App turns your Smartphone/tablet into the display of the testo 330i.



### Measuring instrument

#### Order no.

testo 330i flue gas analyzer with Longlife gas sensors and integrated draught and gas zeroing, 3 slots, incl. H <sub>2</sub> -compensated CO sensor, O <sub>2</sub> sensor, rechargeable battery and calibration protocol	0632 3000 71	
testo 330i flue gas analyzer with Longlife gas sensors and integrated draught and gas zeroing, 3 slots, incl. O <sub>2</sub> /CO sensor, rechargeable battery and calibration protocol	0632 3000 70	
testo 330i flue gas analyzer with Longlife gas sensors and integrated draught and gas zeroing, 3 slots, incl. CO/NO sensor, rechargeable battery and calibration protocol	0632 3000 72	
testo 330i flue gas analyzer with Longlife gas sensors and integrated draught and gas zeroing, 3 slots, incl. H <sub>2</sub> -compensated CO sensor, NO sensor, rechargeable battery and calibration protocol	0632 3000 73	

### Spare gas sensors

#### Order no.

O <sub>2</sub> sensor	0393 0002	
CO sensor, without H <sub>2</sub> -compensation, 0 to 4000 ppm	0393 0061	
CO sensor, H <sub>2</sub> -compensated, 0 to 8000 ppm	0393 0101	
NO sensor 0 to 3000 ppm	0393 0151	

### Accessories

#### Order no.

testoFix probe mount for flue gas probes with 8 mm diameter	0554 3006	
Smoke tester incl. oil and soot papers for measuring soot in flue gas, excl. cone (order no. 0554 9010)	0554 0307	
Hose connection set with adapter for separate gas pressure measurement	0554 1203	
Differential temperature set consisting of 2 Velcro probes and temperature adapter	0554 1208	
International mains unit, 100-240 V AC / 6.3 V DC; for mains operation or battery charging in the instrument	0554 1096	
Spare rechargeable battery 2600 mA	0515 5107	
Charger for spare rechargeable battery	0554 1103	
Mobile BT®/ IRDA printer, incl. 1 roll of thermal paper, rech. battery and mains unit	0554 0622	
Spare thermal paper for printer, permanent ink	0554 0568	
Spare dirt filter for probe handle, modular probe; 10 pcs.	0554 3385	
Instrument case for testo 330i, probes and accessories (520 x 130 x 400 mm, WxHxD)	0516 3302	
Instrument case for testo 330i, probes and accessories (520 x 210 x 400 mm, WxHxD)	0516 3303	
ISO calibration certificate flue gas	0520 0055	
USB connection cable, instrument-PC, testo 330i / 330-1/-2 LL / testo 335	0449 0047	

# Probes

<b>Modular flue gas probes</b>		<b>Order no.</b>
Modular flue gas probe incl. cone for fixing; thermocouple NiCr-Ni; hose 650 mm; dirt filter; length 180 mm; Ø 8 mm; Tmax. 500 °C; TÜV-tested		0600 9780
Modular flue gas probe incl. cone for fixing; thermocouple NiCr-Ni; hose 650 mm; dirt filter; length 300 mm; Ø 8 mm; Tmax. 500 °C; TÜV-tested		0600 9781
Modular flue gas probe incl. cone for fixing; thermocouple NiCr-Ni; hose 650 mm; dirt filter; length 180 mm; Ø 6 mm; Tmax. 500 °C		0600 9782
Modular flue gas probe incl. cone for fixing; thermocouple NiCr-Ni; hose 650 mm; dirt filter; length 300 mm; Ø 6 mm; Tmax. 500 °C		0600 9783

<b>Other probes</b>	<b>Order no.</b>
Dual wall clearance probe for O <sub>2</sub> air input measurement	0632 1260
Multi-hole probe shaft, length 180 mm, Ø 8 mm, for CO mean value calculation	0554 5763
Multi-hole probe shaft, length 300 mm, Ø 8 mm, for CO mean value calculation	0554 5762
Probe shaft, length 180 mm, Ø 8 mm, Tmax. +500 °C	0554 9760
Probe shaft, length 300 mm, Ø 8 mm, Tmax. +500 °C	0554 9761
Probe shaft, length 335 mm, Ø 8 mm, Tmax. +1000 °C	0554 8764

<b>Combustion air temperature probe</b>	<b>Order no.</b>
Combustion air temperature probe, immersion depth 190 mm	0600 9787
Combustion air temperature probe, immersion depth 60 mm	0600 9797

1981 7064/msp/I/01.2025

Subject to change without notice.

